



## 產品簡介

- ◆外螺紋小型單動缸採用進口油封及零件，確保品質，使用時漏油量極少，高壓夾持中時間不滲油。
- ◆外螺紋式小型單動缸體積小，便於夾具上，能在最小的空間內排列使用。
- ◆此型式油壓缸便於頂出場合，彈簧退回，無法用於拉式場合上。
- ◆安裝時儘可能垂直於工作面，傾斜勿超過10°。
- ◆缸體底部需置放一紙鎖緊防漏墊圈。



## Introduction of product

- ◆The thread-body single acting hydraulic cylinder use imported oil seal and accessories to guarantee the quality that make the oil leakage least and no leakage while clamping in high pressure for long time.
- ◆The volume of the thread-body single acting hydraulic cylinder is small. It can be used in a small space in the fixture.
- ◆This hydraulic cylinder is used to extend, and then spring returns, but it can't be used for pulling in.
- ◆The angle degree between the cylinder and workpiece could not be larger than 10° while installing.
- ◆The bottom of the cylinder barrel needs a leakage-proof gasket.

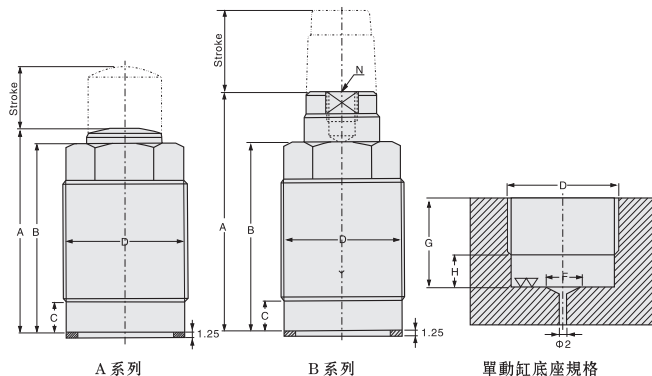
## 特性資料 Specification

類型type	HTC-12A	HTC-16A	HTC-20A	HTC-25A	HTC-12B	HTC-16B	HTC-20B	HTC-25B
活塞杆徑 Bore of piston (mm)	Φ12	Φ16	Φ20	Φ25	Φ12	Φ16	Φ20	Φ25
總行程Total stroke (mm)	10	12	15	16	10	12	15	16
使用液體 Fluid	已濾清之標準液壓油 Filtered oil							
使用壓力範圍 Range of pressure(kg/cm <sup>2</sup> )	20—250kg/cm <sup>2</sup>							
作動方式 Acting type	單動式 Single acting							
理論夾持力 Theoretical clamping 200kg/cm <sup>2</sup>	200(kg)	400(kg)	620(kg)	980(kg)	200(kg)	400(kg)	620(kg)	980(kg)

## 訂購標示法 Ordering Code



①	系列號 Series	HTC
②	活塞杆徑 Bore of piston	Φ12, Φ16, Φ20, Φ25
③	類型 type	分爲A, B兩種 Divide A type and B type



## 外形尺寸表 Dimension table

單位 (Unit) : mm

ITEM	A	B	C	D	F	G	H	N	K	ST
MODEL										
HTC-12A	38	36	7	M22x1.5	12	16	6	---	3	10
HTC-16A	46.5	44.5	8	M26x1.5	16	20	7	---	3	12
HTC-20A	57.5	51	8	M30x1.5	20	24	7	---	3	15
HTC-25A	58.5	55	11	M38x1.5	25	28	10	---	3	16
HTC-12B	45	36	7	M22x1.5	12	16	6	M6x1.0	3	10
HTC-16B	52	44.5	8	M26x1.5	16	20	7	M6x1.0	3	12
HTC-20B	64.5	51	8	M30x1.5	20	24	7	M8x1.25	3	15
HTC-25B	67.5	55	11	M38x1.5	25	28	10	M8x1.25	3	16