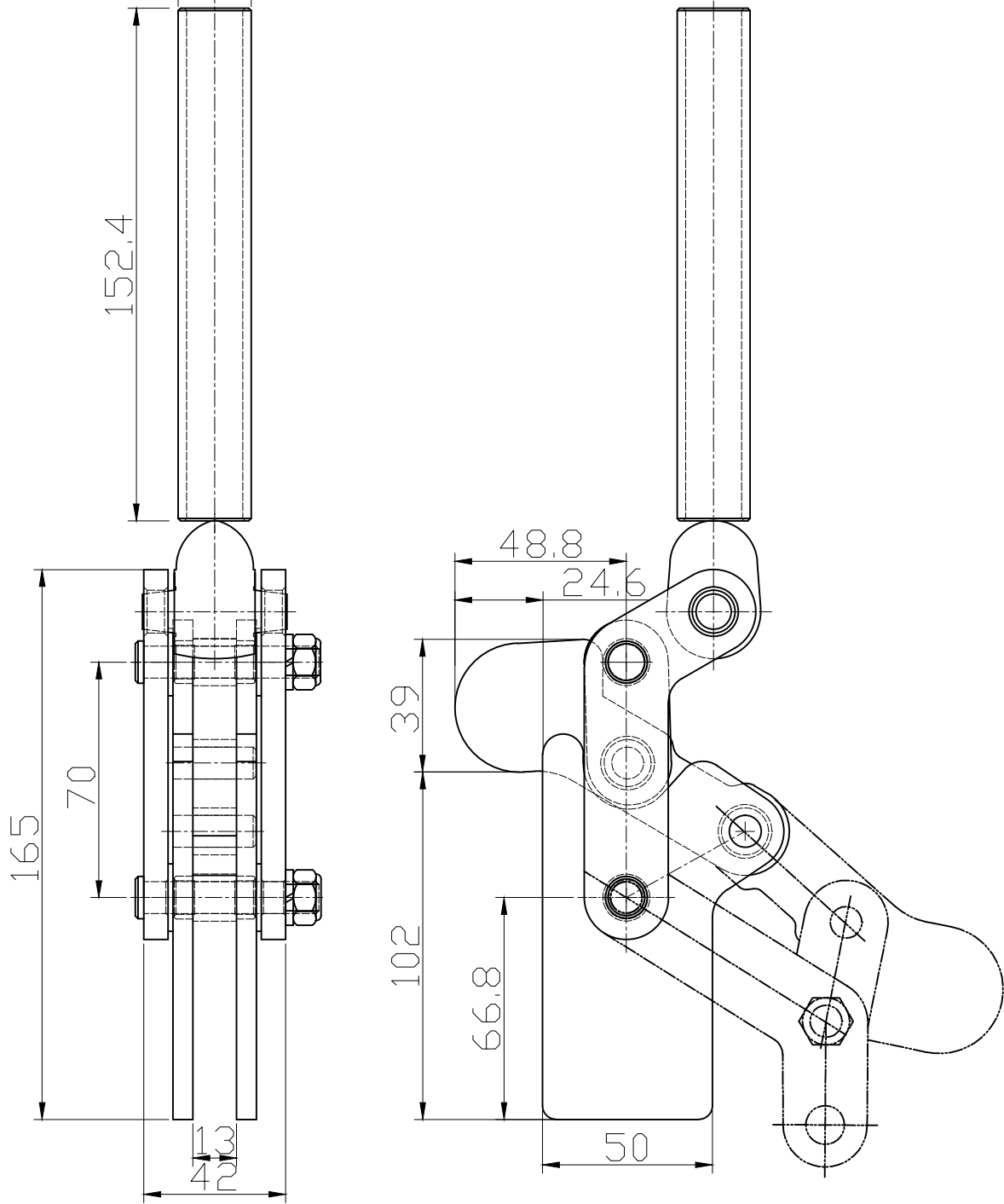


HS-701-D

($\phi 21,7$)



BAR OPENS: 191°

HAND OPENS: 122°