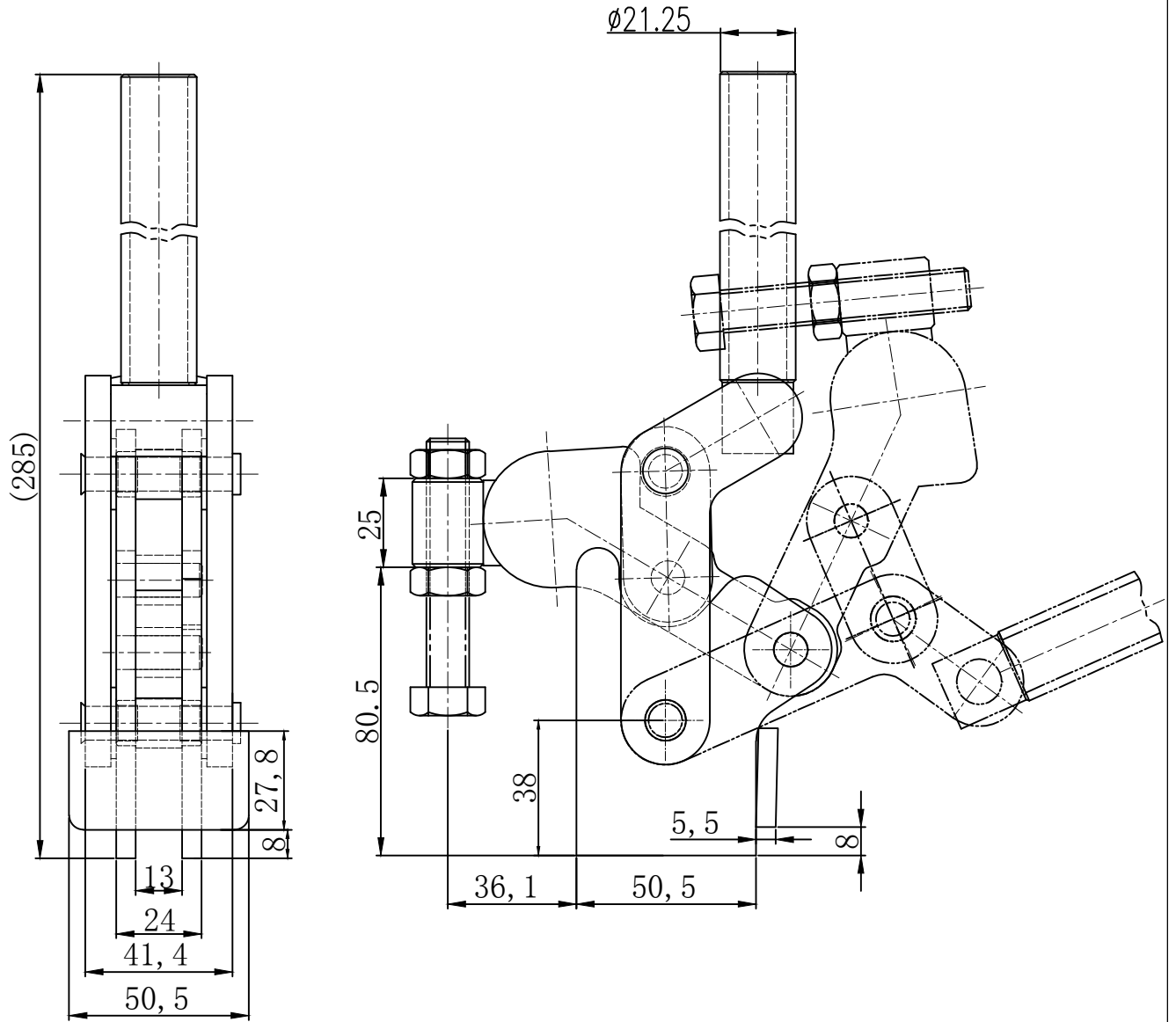


HS-101-KS



HOLDING CAPACITY: 500KG  
SPINDLE SUPPLIED: HS-SA-128017