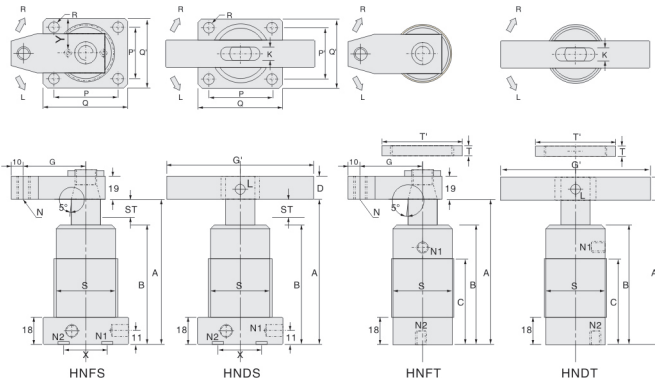


產品簡介

- ◆ 向左或向右旋轉後垂直下壓達到夾持目的。
- ◆ 標準角度90°，可訂做角度30°、45°、60°。
- ◆ 缸體為高級碳鋼材質，表面硬化處理。
- ◆ 壓板加長時，G值勿超過原有規格1.2倍。
- ◆ 入油口增加流量控制閥，控制轉角速度，避免慣性撞擊。
- ◆ 安裝夾持時，應垂直進行缸內夾緊工作。
- ◆ 每次上下工作時，務必以氣槍清潔活塞杆處油封上的鐵屑異物，避免下次使用異物嵌入油封。

Introduction of product

- ◆ During clamp retraction, the piston rod rotates, causing the clamping arm to swing in either a clockwise or counterclockwise direction. Clamping then takes place as the rod continues to retract in a straight line, pulling the arm against the workpiece.
- ◆ Standard angle 90°, available models offer angles of rotation of 30°, 45°, 60°.
- ◆ The cylinder body is made of carbon steel, and the surface is hard membrane treated.
- ◆ When it is necessary to change the length of the clamping arm, it should be noted that do not exceed 1.2 times of the original G value in order to avoid the serious slanting of the piston rod.
- ◆ Suggested to add a flow control valve to the hydraulic inlet to control the motion of the swing angle in order to prevent the inertial impact.
- ◆ A workpiece should not be clamped within a swing stroke, and it should be clamped within the vertical downward clamping stroke.
- ◆ Whenever placing and taking off a workpiece, it is necessary to use an air gun to clean the piston and the seal for removing the iron slag or foreigner objects attached thereon. In order to prevent the foreigner objects from entering the seal to cause oil leakage.



特性資料 Specification

油缸類型 Type of cylinder	四方底座型 Flange type	HNFS-25A	HNFS-32A	HNFS-40A	HNFS-25B	HNFS-32B	HNFS-40B
	外螺牙型 Threaded type	HNFT-25A	HNFT-32A	HNFT-40A	HNFT-25B	HNFT-32B	HNFT-40B
油缸內徑 Bore of cylinder(mm)	HNDT-25A	HNDT-32A	HNDT-40A	HNDT-25B	HNDT-32B	HNDT-40B	
活塞杆徑 Bore of piston(mm)	Φ25	Φ32	Φ40	Φ25	Φ32	Φ40	
活塞行程 Swing stroke(mm)	Φ18	Φ22	Φ25	Φ18	Φ22	Φ25	
轉角行程 Clamping stroke(mm)	12	12	12	15	15	15	
垂直行程 Clamping stroke (mm)	11	11	11	18	18	18	
垂直面積拉入/推出 Pressure area pull/push cm ²	2.37/-	4.24/-	7.65/-	2.37/4.91	4.24/8.04	7.65/12.5	
理論夾持力 Theoretical clamping 250kg/cm ²	420kg	760kg	1450kg	495kg	890kg	1600kg	
作動方式 Acting type	單動 Single acting		雙動 Double acting				
使用液體 Fluid	已濾清之標準液壓油 Filtered oil						
使用溫度範圍 Range of temperature	-10~+60°C						
使用壓力範圍 Range of pressure(kg/cm ²)	70---210kg/cm ²						
轉角方向 Rotating direction	順時針右轉R或逆時針左轉L Turn right R or turn left L						
轉角角度 Rotating angle	標準角度 Standard angle 90°(±2°)訂製角度 order angle 30°(±2°)、45°(±2°)、60°(±2°)						

訂購標示法 Ordering Code

HNFS - L 25 A x 90° F



1	系列號 Series	HNFS, HNDS, HNFT, HNDT
2	轉角方向 Rotating direction	順時針右轉R或逆時針左轉L Turn right R or turn left L
3	油缸內徑 Bore of cylinder	Φ25, Φ32, Φ40
4	作動方式 Acting type	A 單動 Single-acting B 雙動 Double-acting
5	轉角角度 Rotating angle	標準角度 Standard angle 90°(±2°)訂製角度 order angle 30°(±2°)、45°(±2°)、60°(±2°)
6	空白: 配管式	F: 油路板式 (外螺牙型無油路板式)

外形尺寸表 Dimension table

四方底座型 Flange type	HNFS-25A HNDS-25A	HNFS-32A HNDS-32A	HNFS-40A HNDS-40A	HNFS-25B HNDS-25B	HNFS-32B HNDS-32B	HNFS-40B HNDS-40B
外螺牙型 Threaded type	HNFT-25A HNDT-25A	HNFT-32A HNDT-32A	HNFT-40A HNDT-40A	HNFT-25B HNDT-25B	HNFT-32B HNDT-32B	HNFT-40B HNDT-40B
ST: Swing/Clamping	23:12/11				33:15/18	
A 翻開狀態 unclamping	131	127	127	136	136	136
B	102	97	98	102	97	98
C	66	70	72	66	70	72
D'	□19	□22	□25	□19	□22	□25
G	45	50	50	45	50	50
G'	100	120	140	100	120	140
K	9	10	12	9	10	14
L	Φ8	Φ8	Φ10	Φ8	Φ8	Φ10
油孔N1(夾緊 Clamping)/N2(鬆緊 unclamping)	PT1/8	PT1/8	PT1/8	PT1/8	PT1/8	PT1/8
油路板型 O-ring Manifold	P7	P7	P7	P7	P7	P7
N	M12x1.75	M12x1.75	M12x1.75	M12x1.75	M12x1.75	M12x1.75
P	50	54	66	50	54	66
P'	30	34	40	30	34	40
Q	64	68	84	64	68	84
Q'	46	54	64	46	54	64
R	Φ6.5	Φ6.5	Φ6.5	Φ6.5	Φ6.5	Φ6.5
S	M45x1.5	M50x1.5	M60x1.5	M45x1.5	M50x1.5	M60x1.5
T(x2pcs)	10	11	11	10	11	11
X	Φ65	Φ70	Φ80	Φ65	Φ70	Φ80
Y	35	40	50	35	40	50
Z	23	27	32	23	27	32
Weight 重量kg	1.5	1.9	2.9	1.5	1.9	2.9