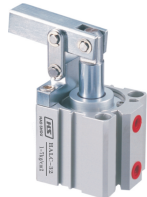


產品簡介

- ◆此型空壓缸，採用標準規格冶具缸，加裝杠杆式夾持機構，活塞推出為夾緊狀態，主要機構零件安裝於缸體外部，易於維護。
- ◆缸體材質採用鋁合金，內壁表面光滑，耐磨性強，使用壽命長，夾持機構材料均採用機械構造用碳素鋼，堅固耐用。
- ◆本系列各種型號均可安裝磁性感應開關。
- ◆壓板需增加長度時，請勿大于原長之1.5倍。

Introduction of product

- ◆Applied Standardized fixture cylinder in this series of product, and fitted with lever-type holding structure. Piston push out for clamping. Main spare parts of this product be installed outside of the body for convenient maintenance.
- ◆The material of body is aluminum alloy. The surface of internal is smooth, and have long service life. Clamping spare parts material is carbon steel which used for mechanical configuration, firm and wear-resistance.
- ◆All models of this series equipped with magnetic induction are available.
- ◆When you need to increase the length of the clamping arm, please don't exceed 1.5 times of the original length.



訂購標示法 Ordering Code

HALC - MS 32 - S1

①	系列號 Series	HALC
②	空 白 Blank	標準型 Standard type
③	MS	附磁石感應 With magnetic induction
④	缸缸內徑 Bore of cylinder	φ25, φ32, φ40, φ50, φ63
	近磁開關 Sensor switch	S1:1個 S2:2個 1Pcs of S1, 2Pcs of S2

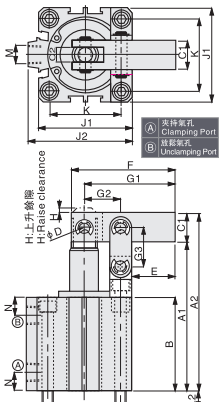
特性資料 Specification

缸缸內徑 Bore of cylinder	mm	φ25	φ32	φ40	φ50	φ63	φ80	φ100
活塞桿徑 Bore of piston	mm	φ10	φ12	φ16	φ20	φ20	φ25	φ32
總行程 Total stroke	mm	20	23	25	30	35	43	48
受壓面積 Pressure area	cm ²	4.91	8.04	12.57	19.63	31.37	50.24	78.5
理論夾持力 Theoretical clamping	7kg/cm ²	15	25	44	71	136	255	415
使用液體 Fluid		已濾清之壓縮空氣 Filtered air						
最大耐壓力 Max operation pressure	(kg/cm ²)	10kg/cm ²						
操作壓力範圍 Operation pressure range	(kg/cm ²)	1~7kg/cm ²						
作動方式 Acting type		復動式 Double acting						

外形尺寸表 Dimension table

單位 (Unit) : mm

ITEM	MODEL	HALC-25	HALC-32	HALC-40	HALC-50	HALC-63	HALC-80	HALC-100
標準型 Standard type	A1	65.5	78	82.5	96.6	115.5	138	163.5
	A2	78.5	94	98.5	115.6	137.5	160	188.5
	B	41	49	51.5	58.6	72.5	84	99
附磁石 With magnet	A1	75.5	93	97.5	106.6	125.5	148	173.5
	A2	88.5	109	113.5	125.6	147.5	170	198.5
	B	51	64	66.5	68.6	82.5	94	109
C1		□13	□16	□16	□19	□22	□25	□25
C2		6	8	8	10	10	10	12
D		φ5	φ6	φ6	φ8	φ8	φ10	φ12
E		25	31	32	35	38.5	47	53
F		50	60	65	75	85	105	125
G1		45	54	58	66	76	94	110
G2		14	17	20	23	29.5	37	45
G3		17	20	22	27	32	40	45
H		3	3	3	3	3	3	3
J1		40	44	52	62	75	94	114
J2		-	50	58	71	84.5	104	124
K		28	34	40	48	60	74	90
L1	M5×0.8	M5×0.8	M6×1.0	M6×1.0	M6×1.0	M10	M10	
L2	10.5	11	9.5	11	11	15.5	15	
M	M5×0.8	PT1/8	PT1/8	PT1/4	PT1/4	PT1/4	PT1/4	
N		8	9	8	11	11	14	18



產品簡介

- ◆此系列產品有五種可供選擇的缸徑-φ25, φ32, φ40, φ50, φ63。
- ◆本產品使用了高性能的密封圈，避免了氣缸的滲漏，且其壽命長。
- ◆應用了杠杆原理，使工件容易夾緊，提高效率。
- ◆壓板需增加長度時，請勿大于原長之1.5倍。
- ◆缸體的材質採用鋁合金。活塞材質是45鋼，熱處理，表面鍍鉻。

Introduction of product

- ◆Available in φ25, φ32, φ40, φ50, φ63 five sizes.
- ◆Use high-quality seal to avoid leakage and keep long operation.
- ◆Leverage structure design, the fixture can clamp easily, perform efficiently
- ◆When you need to increase the length of the clamping arm, please don't exceed 1.5 times of the original length.
- ◆Body material: Aluminum alloy 6061T6 hard coat. Piston: S45C, Hard Chromed.



訂購標示法 Ordering Code

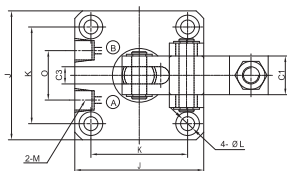
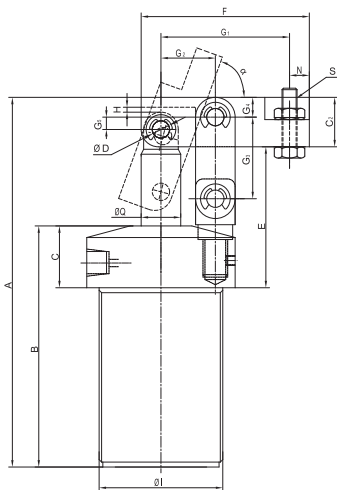
HPLCU - 40 R



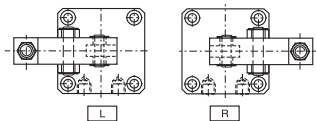
①	系列號 Series	HPLCU
②	缸缸內徑 Bore of cylinder	φ25, φ32, φ40, φ50, φ63
③	R/L(空白 (壓臂安裝方式))	

特性資料 Specification

缸缸類型 Type	HPLCU-25	HPLCU-32	HPLCU-40	HPLCU-50	HPLCU-63
缸缸內徑 Bore lr cylinder (mm)	φ25	φ32	φ40	φ50	φ63
活塞桿徑 Bore of piston (mm)	φ14	φ16	φ16	φ20	φ20
總行程 Total stroke(mm)	22	28	30	30	30
受壓面積推出 Pressure area push cm ²	4.91	8.04	12.57	19.63	31.17
理論夾持力 Theoretical clamping 5kg/cm ²	27kg	40kg	66kg	105kg	166kg
使用液體 Fluid	已濾清之壓縮空氣 Filtered air				
溫度範圍 Range of temperature (°C)	-10°C—+80°C				
最大耐壓力 Max operation pressure	10kg/cm ²				
使用壓力範圍 Range of pressure (kg/cm ²)	4~7kg/cm ²				
作動方式 Acting type	復動式 Double acting				
固定方式 Fixing type	上法蘭或外螺紋固定 upper flang or thread fixing				



Ⓐ 夾持氣孔 Clamping port Ⓑ 放鬆氣孔 Unclamping port



外形尺寸表 Dimension table

單位 (Unit) : mm

MODEL	A	B	C	CL	C2	CD	E	F	G1	G2	G3	G4	G5	H	I	J	K	L	M	N	O	Q	S	α	
HPLCU-25	128.5	86.5	25	16	17	6	Φ6	50	55	41	18	26	6.5	4.5	2	M40-1.5	50	37	Φ5.5-Φ9×5.5D	M5	7	23	Φ14	M6	70°
HPLCU-32	148.5	97.5	25	18	20	8	Φ6	57	68	52	22	33	8	5	4	M50-1.5	60	45	Φ6.5-Φ11×6.5D	PT1/8	8	23	Φ16	M8	75°
HPLCU-40	157.5	97.5	25	20	25	8	Φ8	60	75	56	24	33	13	4	3	M55-1.5	65	50	Φ6.5-Φ11×6.5D	PT1/8	10	26	Φ16	M8	78°
HPLCU-50	174	104	25	22	30	10	Φ10	65	87.5	63.5	27.5	44	11	10	3	M65-1.5	75	58	Φ8.5-Φ14×8.5D	PT1/8	14	32	Φ20	M12	70°
HPLCU-63	179	105	25	22	30	10	Φ10	69	98	74	32	48	11	10	3	M80-1.5	90	70	Φ8.5-Φ14×8.5D	PT1/8	14	35	Φ20	M12	60°

產品簡介

- ◆此系列產品有五種可供選擇的缸徑:Φ25, Φ32, Φ40, Φ50, Φ63.
- ◆本產品使用了高性能的密封圈, 避免了氣缸的滲漏, 且其壽命長.
- ◆應用了杠杆原理, 使工件容易夾緊, 提高效率.
- ◆壓板需增加長度時, 請勿大於原長之1.5倍.
- ◆缸體的材質採用鋁合金, 活塞材質是45鋼, 熱處理, 表面鍍鉻.

Introduction of product

- ◆Available in Φ25, Φ32, Φ40, Φ50, Φ63 five sizes.
- ◆Use high-quality seal to avoid leakage and keep long operation.
- ◆Leverage structure design, the fixture can clamp easily, perform efficiently
- ◆When you need to increase the length of the clamping arm, please don't exceed 1.5 times of the original length.
- ◆Body material: Aluminum alloy 6061T6 hard coat. Piston: S45C, Hard Chromed.



訂購標示法 Ordering Code

HPLCU — FA 32 R

① ② ③ ④

① 系列號 Series	HPLCU
② 接管方式 Takeover mode	氣路板、接管兩用型
③ 氣缸內徑 Bore of cylinder	Φ25, Φ32, Φ40, Φ50, Φ63
④	R/L/空白 (壓管安裝方式)

特性資料 Specification

氣缸類型 Type	HPLCU-FA25	HPLCU-FA32	HPLCU-FA40	HPLCU-FA50	HPLCU-FA63
氣缸內徑 Bore Ir cylinder (mm)	Φ25	Φ32	Φ40	Φ50	Φ63
活塞杆徑 Bore of piston (mm)	Φ14	Φ16	Φ16	Φ20	Φ20
總行程 Total stroke(mm)	20	28	30	30	30
受壓面積推入 Pressure area push cm ²	4.91	8.04	12.57	19.63	31.17
理論夾持力 Theoretical clamping 6KN/cm ²	13.2	30.3	47	80	117
使用液體 Fluid	已過濾之壓縮空氣 Filtered air				
溫度範圍 Range of temperature (°C)	-10°C — +80°C				
最大耐壓力 Max operation pressure	10 KN/cm ²				
使用壓力範圍 Range of pressure	1.5-7 KN/cm ²				
作動方式 Acting type	復動式 Double acting				
固定方式 Fixing type	上法蘭 upper flang				